

# WALL PANEL INSTALLATION

For more information

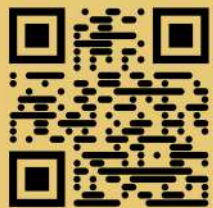
Please Call

905-669-3877

Or Contact

orderdesk@mrmarble.com

mrmarble.com

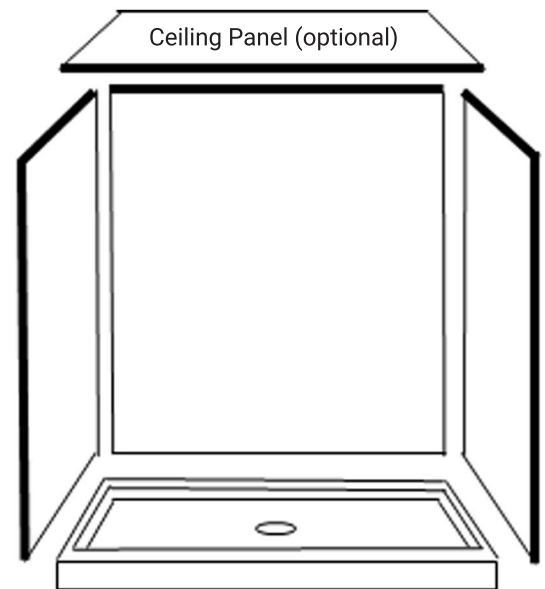


The tips and tricks in this instructional guide are compiled from years of experience and recommendations of professionals to help you do a perfect job of installing your Mr.Marble products. **Disclaimer: This instructional guide is to be used as a guide.** Every house and shower are slightly different and may require an alternative approach than the one outlined.

## 1. PANEL INSTALLATION SEQUENCE

When there is a ceiling panel, the ceiling panel should be installed first. Please make sure to drill 2-4 screws into the ceiling panel and into the stud to ensure that it does not fall. You can purchase clear/white covers to hide the screws at your local hardware store. The back panel is installed next, and the side panels last. Each wall panel only has one or two finished edges (see opposite diagram), and the rest are unfinished cut edges. Panels must be installed so that the smooth/finished edges will be showing.

**Alcove Preparation:** Panels can be installed onto sheetrock, Dry Wall (water resistant is preferred), concrete board and similar wallboard material. If using any type of concrete board, priming the wall board will be necessary to help the 100% silicone adhere, especially if the wall board is "dusty" by nature. When installing onto sheet rock, priming is recommended. However, it is not good to apply the final coat of paint before installing the MrMarble wall panels as some paint finishes do not allow the silicone to adhere correctly to them. MrMarble "ONYX-Oxxx" colours must have walls primed white and glued with clear silicone.



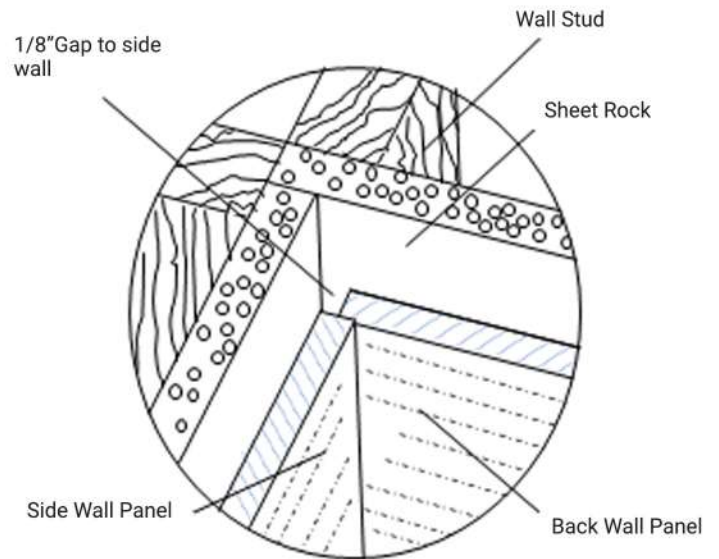
— Indicates: Finished/Polished Edge

## 2. DRY-FITTING & INSPECTING

Identify, inspect, and dry-fit the wall panels. It may be necessary to remove the plastic to properly inspect the wall panel. Do any necessary trimming of the panels before applying any adhesive. For the back panel, there should be at least about 1/8" clearance on left & right side to allow for expansion. Templating wall can be helpful for cutting non square walls.

This clearance will be covered by the side panels. All panels are shipped oversize and cutting to fit on site is required. Side panels should fit tightly against the back panel to allow for minimal glue.

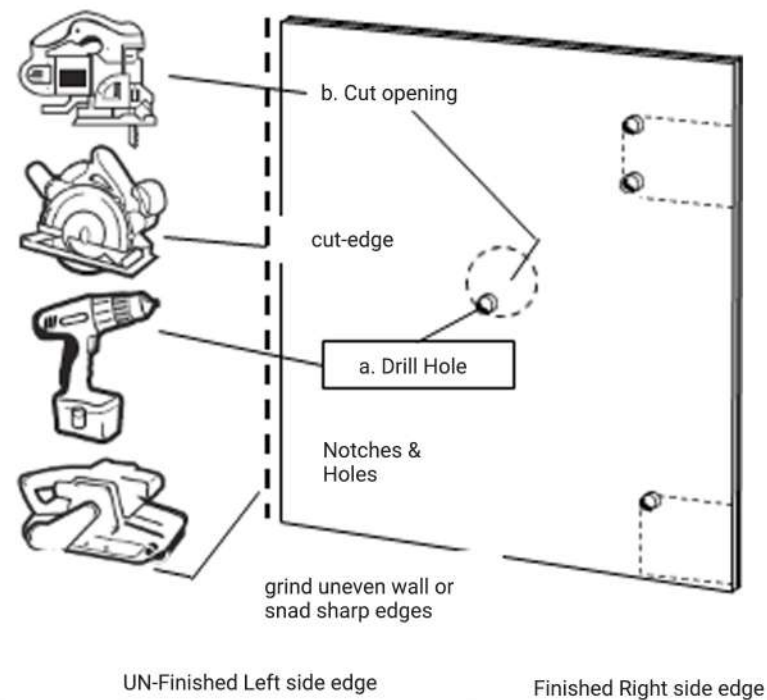
**During Installation:** If it becomes necessary to bend a panel, warming the panel will reduce the risk of the panel cracking when it flexes. When dry fitting, avoid sliding the panel on the shower base. Lifting the panel into place will reduce the chance of scratching the base.



## 3. CUTTING

For trimming, shaping, drilling or cut-outs, use standard wood cutting tools such as jig saws, circular saws, drill bits and belt sanders. Fine to medium tooth finish blades work best for cutting. Use dust mask & do all cutting in ventilated area. Make faucet holes with an electric drill and a carbide tip hole saw. For cutting larger openings use a drill bit, then using a jig saw cut the opening needed.

**CUTTING:** All cut-outs for notches or accessories should have rounded corners (sharp corners can cause stress cracks). Rounded corners can be made by drilling 1/4" or larger holes at the corners of the openings and then cutting between holes with a jigsaw. (see opposite sketch). For Steam Showers, maintain a 1/2" or more clearance between the steam jet and the panel. Also, steam jets or diverters must be 8" or more from the Shower Base or other Wall Panels. [Carbide tipped cutters/tools are more durable, but not required for one install)



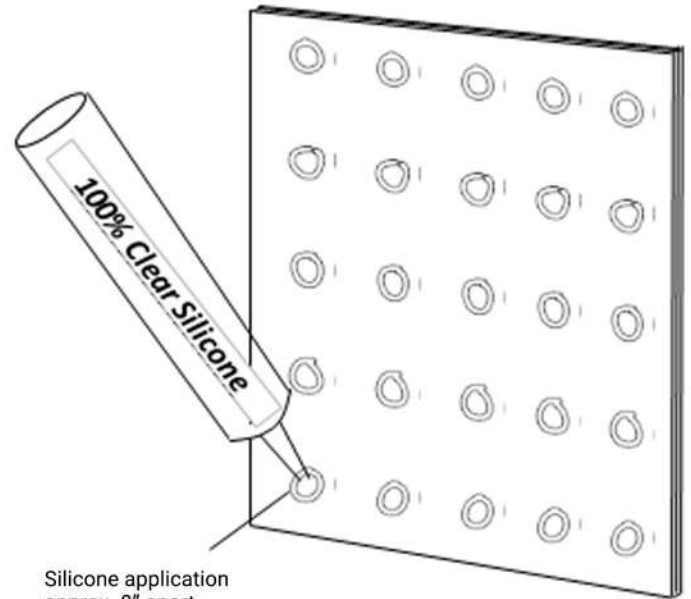
## 4. SILICONE ADHESIVE

4.1 Clean back of entire panel and apply 100% silicone to panel (or wall) in 2" diameter globs, 3/8" thick, positioned about 8" apart.

4.2 Run another bead along the perimeter of the panel (or the wall board) about 1" in from the edge. This bead will help support the area along the edge of the panel between the silicone globs.

4.3 Press the panel against the wall. The globs will flatten out and act like a suction cup. Separating the panel a couple of inches from the wall for about 1 minute and pressing back again (webbing) will make the adhesive set more quickly. Bracing may be needed while silicone cures..

**BEST RESULTS:** Use 100% clear silicone adhesive will provide maximum adhesion and proper cure rates. You will need one tube of silicone (10.3oz) for every 1,000 square inch or 6-8 tubes for an average shower. For steam shower panel, apply extra adhesive to the areas near the steam outlets.



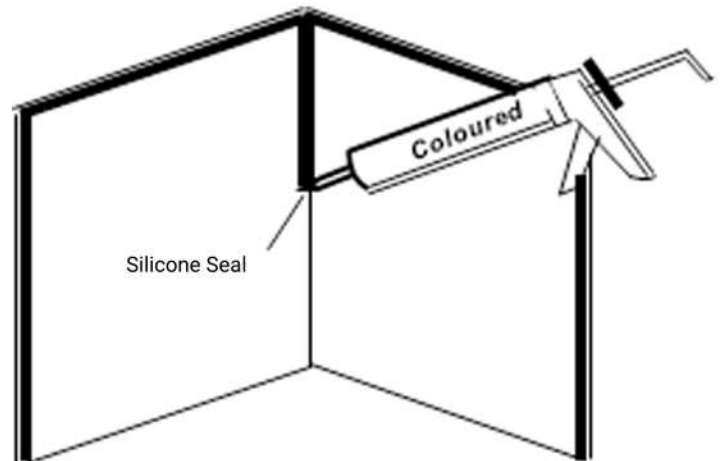
Silicone application approx. 8" apart  
Please ensure they are globs of silicone for maximum adhesion

## 5. CAULKING SEAMS

Use 100% Silicone for all seams between wall panels, between panels and the shower base and around any Accessories & Trim.

**NOTE:** Where the edges of the wall panels meet the drywall, you can use painter's tape on the drywall and then apply a small bead of silicone to the small gap (silicone cannot be painted so it is important to not get any silicone on the drywall.)

**CLEAN-UP:** To help clean any excess silicone, have a bottle of Rubbing Alcohol and a roll of paper towels available. Also, if you use your finger to smooth the silicone bead, dampening your finger with the rubbing alcohol will help make a smooth bead and also reduce smearing.





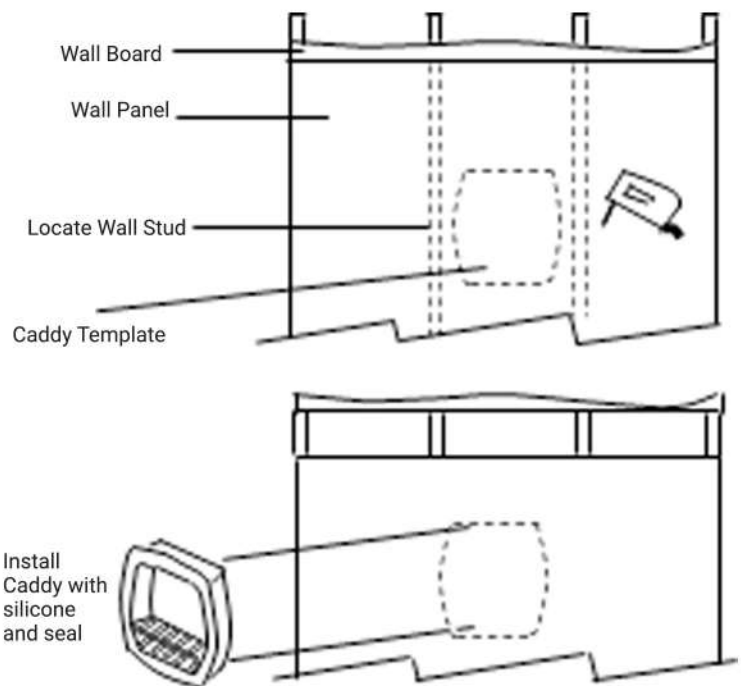
## 6. INSTALLING RECESSED SHOWER CADDIES

When you are installing recessed Soap or Shampoo Holders, keep in mind the locations of the wall studs so there is not a conflict when cutting the hole for the accessory.

Cut holes for recessed caddies after the panel is installed and fully supported by the wall.

On-Line dimensions of cut-out opening are available for Recessed Accessories.

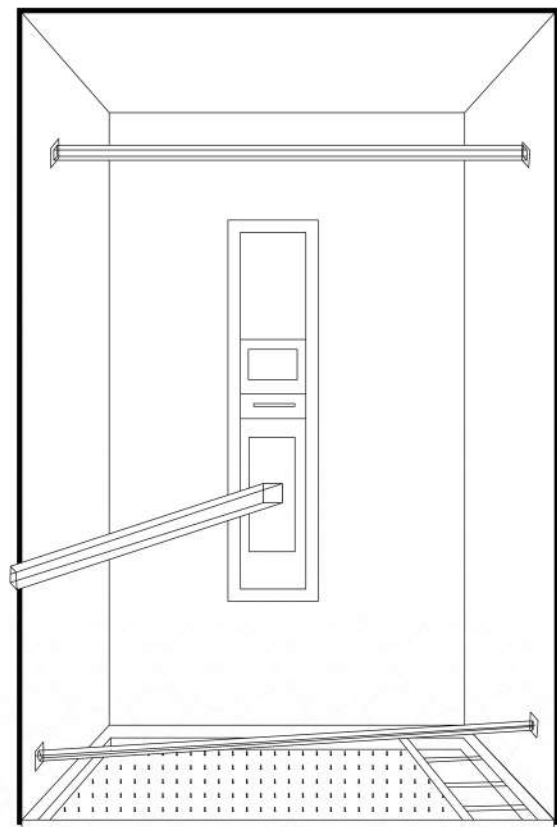
**STUD LOCATIONS:** Always ensure that the stud locations at the sides and back walls are marked. This information will be needed before cutting the panel opening to install recessed accessories. If there are no studs in the intended area for the caddy, but the exact location is not known, begin with a small hole and then measure over to the stud for the exact location.



## 7. BRACING NEWLY INSTALLED PANELS & ACCESSORIES

Once your panels and accessories have been installed, it is imperative to brace the panels and all accessories to ensure that they are siliconed properly and will stay. We recommend using a 2x4" wood plank (measured to the size you require) and placing them in between the walls and against the accessories. Put cardboard or some type of protective cover on each end to ensure that the wood does not scratch your product. Depending on how large the bathroom is, you may need to brace the panels at the top and bottom. This ensures that the silicone adheres to the wall and all newly installed items will be secure and ready for use.

Leave the bracing in place for 24 hours prior to removing and using your newly installed bathroom!



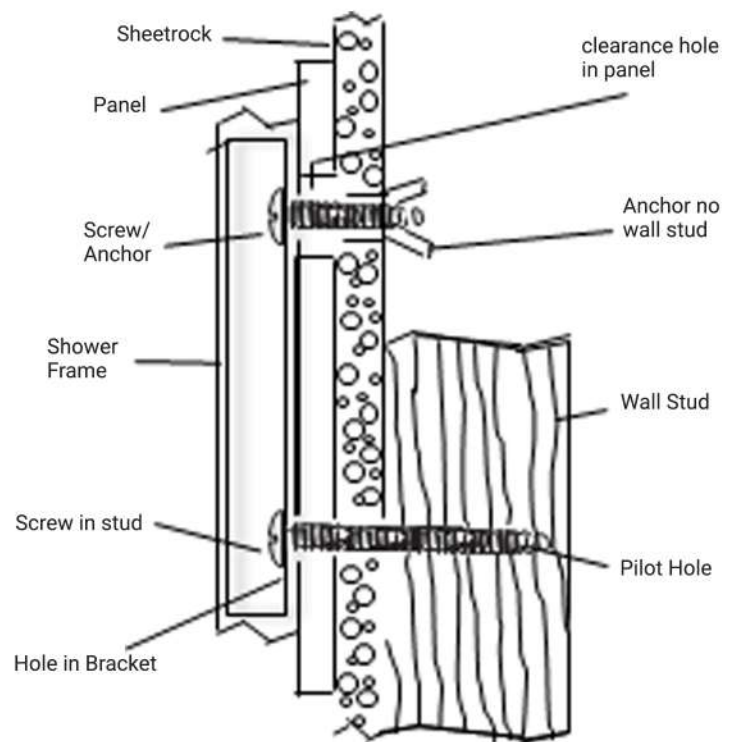
## 8. MOUNTING SHOWER DOORS & ACCESSORIES

Doors & Hardware are purchased [from other manufactures] and included instructions which must be followed.

When drilling holes make the hole slightly larger than the fastener in order to avoid any stress on the composite panel.

If anchors must be used because the screw location cannot be aligned with the wall stud, make the clearance hole in the composite panel large enough for the head of the anchor to fit through so it can anchor securely into the wall board behind the panel.

**MOUNTING:** [Note:complete the sealing of the shower seams before mounting doors]. Clearance holes through the composite panel are very important. Fasteners should pass through a clearance hole in the composite and never screw directly into the composite panel. Always secure fasteners to anchors or wood backing as indicated on sketch.



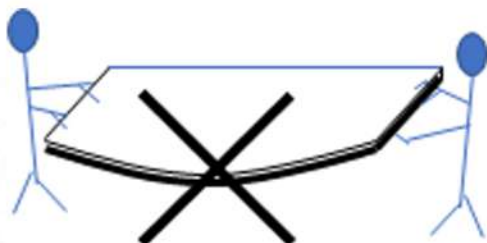
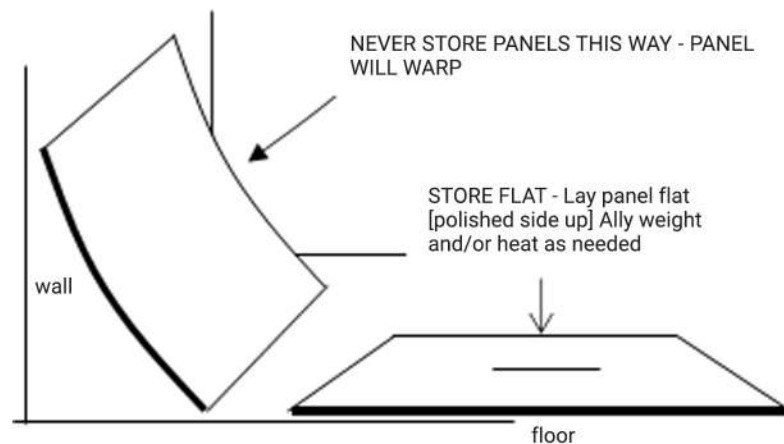
## 9. STORAGE & HANDLING PANELS

Composite Panels/Thresholds/Back Splashes must NEVER be stored leaning against a wall - Panels must be stored flat - Largest to smallest. Polished side against polished side.

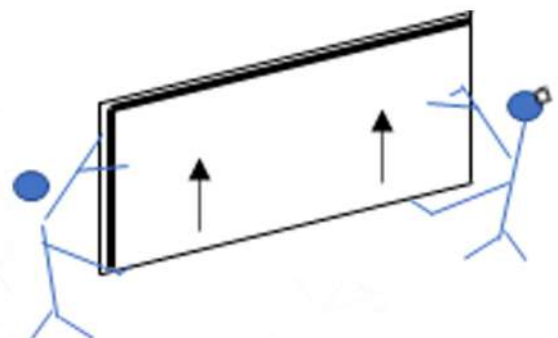
### What to do if a composite panel is not flat:

If a composite wall panel has a bend in it, it can be flattened by simply laying it on a flat surface overnight. To flatten the panel faster, gradually apply a little weight and/or heat (normally heat is not necessary, but if it is an electric blanket will work best). The panel should flatten within 20-30min.

**PANEL or SLAB WEIGHT:** Composite Panels are 3/8" thick weigh approximately 4 LBS/sqft & 3/4" thick Slabs approximately 7.5 LBS/sqft.



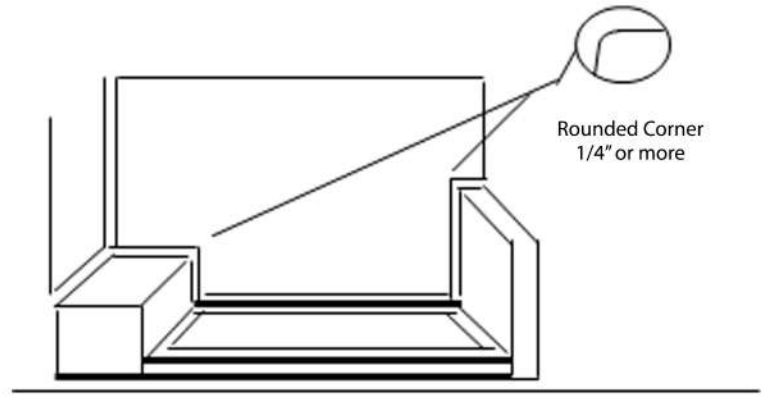
DO NOT Lift panel horizontally  
Panel may break.



Lift panel VERTICALLY:  
Hands as shown in diagram

## 10. CUTTING TIPS: FOR WALL PANELS 3/8" OR SLABS 3/4" THICK

**Cutting & Notching:** Always put a radius on the inside corner when notching a panel. The rounded corner will reduce the chance of the panel cracking during installation. In cooler temperatures, use extra caution when cutting and notching panels because the panels do not flex as well when cold. Warming the panel will make it more flexible and easier to install.



### **Panel Care during Installation:**

Panels are packaged with a protective plastic wrap on them. Leave this wrap on the panel until the panel is ready to be installed (after all sizing and trimming is completed) to help avoid scratches. When cutting the panel, protect the finished side/edges to keep the saw from scratching the panel.

### **Cleaning & Care:**

Your MrMarble product can be cleaned using almost any liquid cleaner (except those that have abrasive particles that may scratch the surface). After cleaning use a car/fibreglass polish like Gel Gloss which is available at most hardware stores. Apply wax in circular pattern overlapping, let dry for a minute and wipe off with soft cloth.