

# SHOWER BASE INSTALLATION

For more information

Please Call

905-669-3877

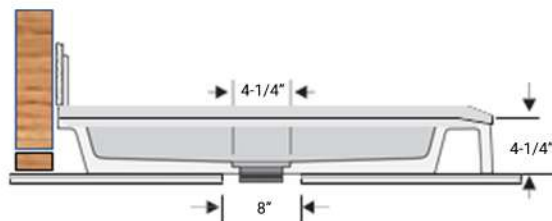
Or Contact

orderdesk@mrmarble.com

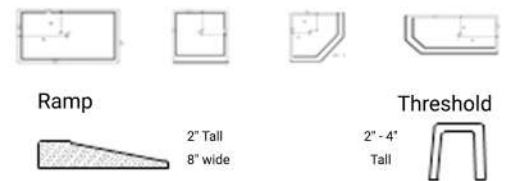
mrmarble.com



The tips and tricks in this instructional guide are compiled from years of experience and recommendations of professionals to help you do a perfect job of installing your Mr.Marble products. **Disclaimer: This instructional guide is to be used as a guide.** Every house and shower are slightly different and may require an alternative approach than the one outlined.



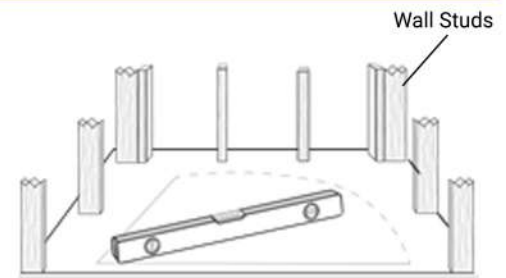
Standard Fixed Sizes - Built in Threshold - Water Dams



Custom: Drain Location, Floor Textures, Thresholds Ramps, Side Walls

## 1. PREPARING THE FLOOR

Verify the floor is firm and structurally sound. If the floor has any flexibility, add support where needed. Make sure the floor is level, flat and clean. If the floor is not level, use thin set cement or another leveling mix as needed (Let it harden before setting the base). All nails and screws in the floor must be countersunk so nothing sticks up above the surface. Cut about an 8" hole in the sub-floor to ensure drain clearance when setting the base.

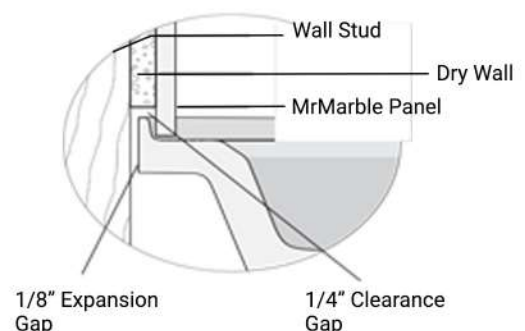


Mr Marble's Bases can be installed onto wood sub floors, concrete, underlayment board such as HandiBacker, tile, vinyl, or other similar flooring materials. Avoid setting the base into wet concrete or thin set because the base will need to expand and contract slightly with temperature change.

**Note:** We recommend you use a drain kit that you work from above - Do your dry-fit plumbing to get your drain pipe ready, place the shower base and then finish your plumbing from the top.

## 2. INSTALLATION OVERVIEW

Understand the picture on right. Notice the expansion gap 1/8" between the base and the wall stud as well as the small clearance gap 1/4" between the flange and the wall board. These are important and should be maintained as much as possible. The wall panel/tile is to be installed to the inside/ in front of the water dam/flange piece.

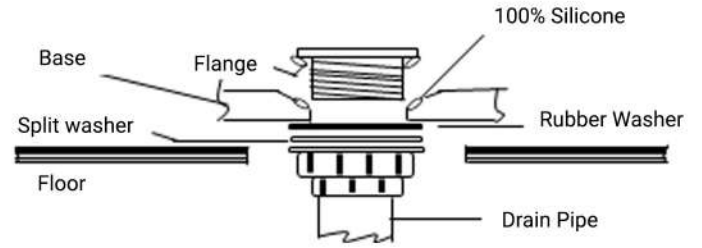


### 3. DRAIN OPTIONS

#### A. New Construction or Glue on Drain

This drain style can be installed after the base has been set in place. Apply a bead of 100% silicone is also used on this drain between the drain flange and the base.

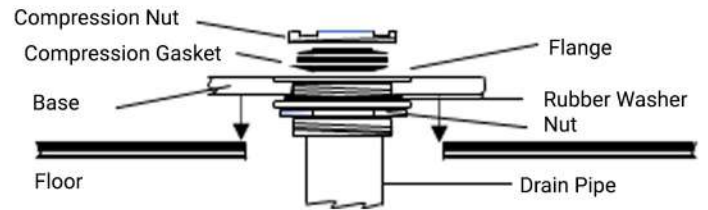
When installing your drain use 100% Silicone. Never use the gaskets on the top side of the shower base where the drain flange seats & never use plumber's putty. Most 2" drains works well & it is important to center the drain flange in the base area so that the strainer will be centered when installed.



#### B. Remodel or No-Glue Drain

This style drain is attached to the base before the base is installed. Be sure to put a bead of 100% silicone between the drain flange and the base.

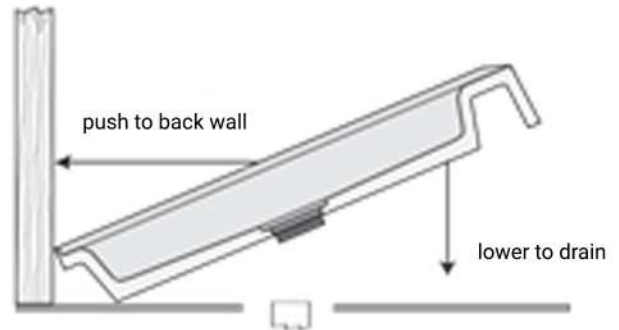
When installing your drain use 100% Silicone. Never use the gaskets on the top side of the shower base where the drain flange seats & never use plumber's putty. Most 2" drains works well & it is important to center the drain flange in the base area so that the strainer will be centered when installed.



### 4. SETTING/FITTING THE BASE

Clean the floor as needed and lower the base into place. It is important that there is a small expansion gap (about 1/8") between the base and the wall studs.

Silicone may be used to secure the base to the floor. A small bead of silicone under the front edge of the threshold will help prevent water under the base. Silicone is also helpful in filling any small uneven areas of the floor. [Thin set cement is for leveling the floor.]



### 5. LEVELING THE BASE

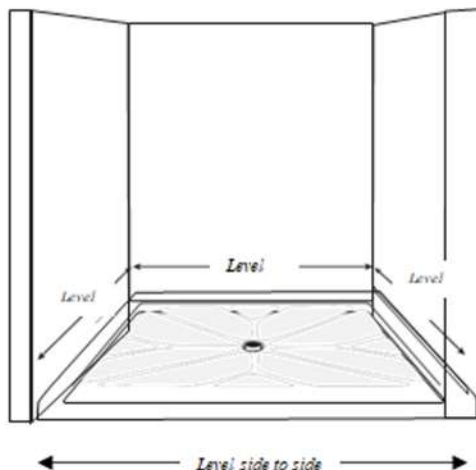
Very Important



At this set, make sure the base is level



After the base is set in place, check base to make sure it's level



In order for the water to drain properly, please make sure the base is level

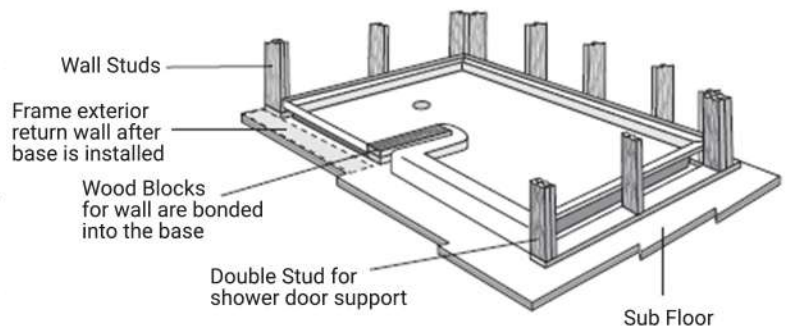
1. Side to side on front
2. Front to back on right
3. Front to back on left
4. Side to side on back



## 6. FRAMING FOR "WALK-IN" CUSTOM BASES & FLOORS

For Framing "Walk-In" Showers, it may be necessary to install the Base/Floor before framing the return walls. When framing walls, allow 1/8" spacing for expansion.

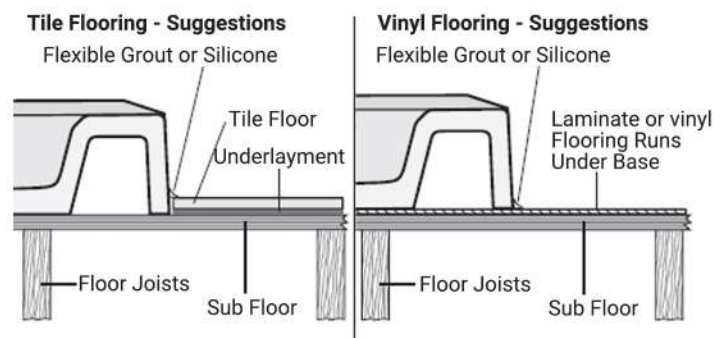
Also remember to double studs as needed for shower door mounting. Keep in mind stud location and wood backing of accessories such as caddies, seats & grab bars.



## 7. FINISHING & FLOORING

Finish flooring materials can run "up to" or under the shower base. For Tile flooring, suggested installation is to run the tile up to the Shower Base and put flexible grout sealant where the tile meet the base.

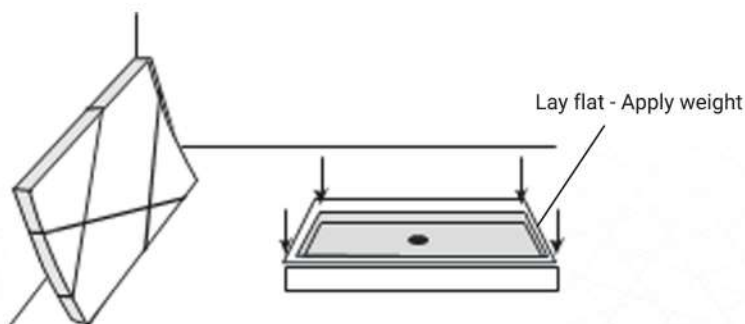
For vinyl flooring, suggested installation is to install the vinyl before the base and put a bead of silicone where the base meets the vinyl.



## HELPFUL SUGGESTIONS

**What to do if Base is not Flat:** If a base is not Flat, it can be corrected by simply it on a hard flat surface overnight with weight on any high points ( 10-50 lbs is enough) To flatten faster, gradually apply more weight on the high points and heat (best electric blanket-hot room-sun) works well. The base should flatten within 2 hours

NEVER Store like this - WARPED - LAY FLAT on Floor



**Preventing Damage to BASE:** Most damage occurs when a tool or other object, such as a wall tile, is dropped on the base. This damage can be repaired, but it is best to prevent this by covering the shower base with a drop cloth, cardboard, or a piece of OSB board or plywood (when this work is being done this may be a good idea). Also watch for screws, dirt, or other debris that can fall onto the base and will possibly cause scratches if stepped on.

