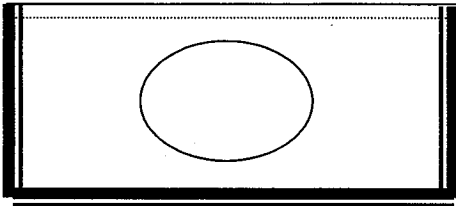
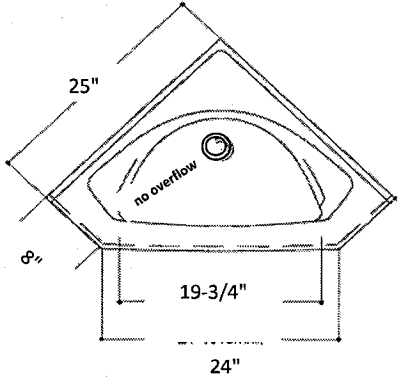


DATE:	Contact:	Mr MARBLE™ ORDER DESK FAX:905-760-2395
STORE:	TEL:	Pick Up <input type="checkbox"/>
LOCATION:	FAX:	FOB Ship Pt. <input type="checkbox"/>
PO#:	TAG Name:	FOB Dest. <input type="checkbox"/>

<p><b>Standard Tops: indicate size</b></p> <div style="display: flex; align-items: center; justify-content: center;"> <div style="border: 1px solid black; padding: 5px; margin-right: 10px;">19" or 22"</div>  </div>	<p><b>Corner Top: 25" x 25" x 8"</b></p>  <p style="text-align: right;">No Overflow</p> <p style="text-align: right;"><b>QTY</b></p>
---	--

**Standard Top: Fixed Sizes, Dripless Edge 3 Sides, Drain Centred** COLOR/FINISH:

(no overflow)	Oval-Non-Recess ONR-I <input type="checkbox"/>	Shell-Non-Recess SNR-I <input type="checkbox"/>	QTY	Color Code:
19" X 17"				

This size 19" x 17" only come with Non Recess [NR] sinks

SINK TYPE →	Oval-Recess	Shell-Recess	QTY	SINK COLOR:
Sizes	with Overflow	with Overflow		
25" X 19"	<input type="checkbox"/> OR-I	<input type="checkbox"/> SR-I		Same Color as Top <input type="checkbox"/> Other <input type="checkbox"/>
31" X 19"	<input type="checkbox"/> OR-I	<input type="checkbox"/> SR-I		Sink Color:
37" X 19"	<input type="checkbox"/> OR-I	<input type="checkbox"/> SR-I		<b>FAUCET HOLE SPACING</b> Drilling: 4" <input type="checkbox"/> 8" <input type="checkbox"/> Single <input type="checkbox"/>
49" X 19"	<input type="checkbox"/> OR-I	<input type="checkbox"/> SR-I		<b>SOAP DISPENSER HOLE:</b> YES <input type="checkbox"/> NO <input type="checkbox"/> Indicate Location
25" X 22"	<input type="checkbox"/> OR-II	<input type="checkbox"/> SR-II		<b>OverFlow Ring: CHROME Included</b> DO NOT INSTALL Chrome Ring <input type="checkbox"/>
31" X 22"	<input type="checkbox"/> OR-II	<input type="checkbox"/> SR-II		<b>SIDESPLASHES:</b> Customer Serv LEFT <input type="checkbox"/> RIGHT <input type="checkbox"/> Sidesplash will be grinded for proper fit.
37" X 22"	<input type="checkbox"/> OR-II	<input type="checkbox"/> SR-II		
49" X 22"	<input type="checkbox"/> OR-II	<input type="checkbox"/> SR-II		

<p><b>SPECIAL NOTES &amp; INSTRUCTIONS:</b></p>	<p style="text-align: center;"><b>PACKAGING:</b></p> <p style="text-align: center;">YES <input type="checkbox"/> NO <input type="checkbox"/></p> <p style="text-align: center;">Signature/PRICE:</p>
---	--

Thier is no substitution of sinks available for above tops.